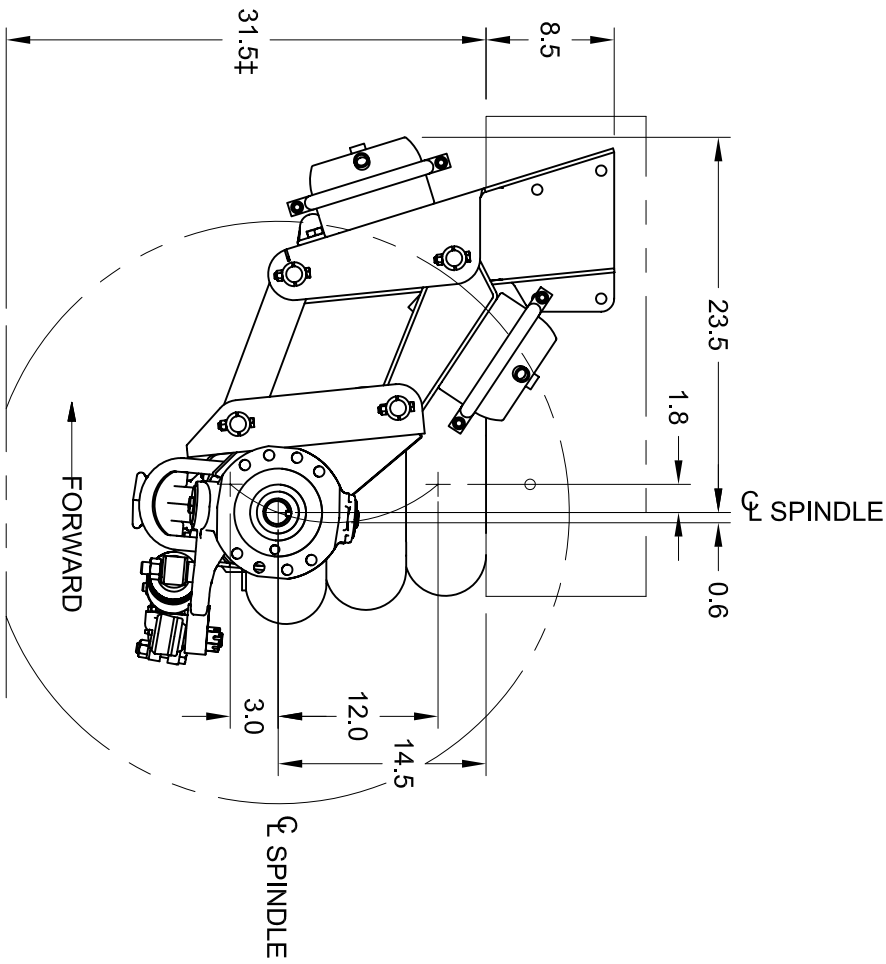
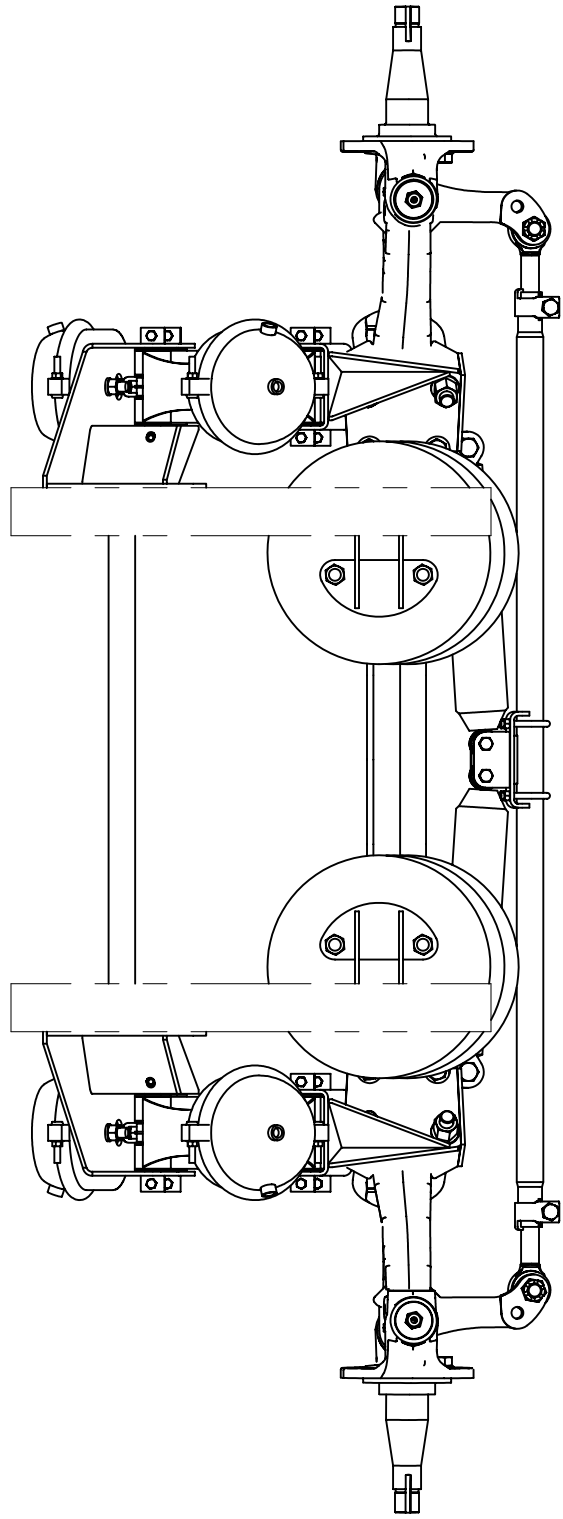
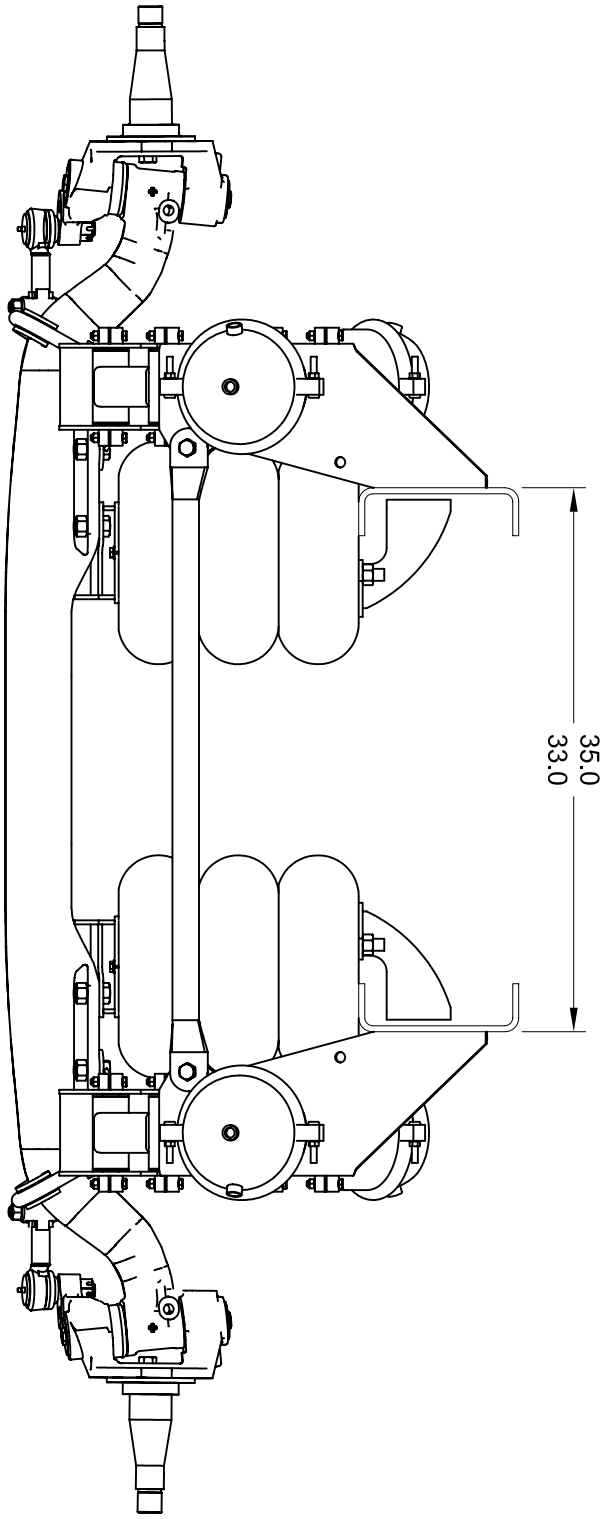


‡ SHOWN WITH 255/70R22.5 TIRE



973 LBS. WITH FORGED I-BEAM AXLE



SUSPENSION TECHNOLOGY INDUSTRIES
1510 METRIC AVE. S.W. CANTON, OHIO 44706
PHONE (888) 877-3058 FAX (330) 458-3066

MATERIAL -
UNLESS OTHERWISE SPECIFIED, ALL DIMENSIONS ARE IN INCHES

WEIGHT
973 LBS

STANDARD TOLERANCES
X.X ±.06 FRAC ± 1/16
X.XX ±.03 ANGLE ± 1°
X.XXX ±.01

DRAWN BY
MKP
CHECKED BY -

SCALE

1:12

RELEASE DATE

-

DATE

8/9/02

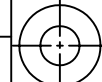
DATE

-

TITLE

13K LIFTABLE
SUSPENSION

THIRD ANGLE PROJECTION



SIZE

B

DRAWING NUMBER

BCL-LIT1

THIS DRAWING IS THE PROPERTY OF SUSPENSION TECHNOLOGY, INC. AND IS LOANED UPON CONDITION THAT IT IS NOT TO BE REPRODUCED OR COPIED, IN WHOLE OR IN PART, OR USED FOR FURNISHING INFORMATION TO ANY PERSON WITHOUT THE WRITTEN CONSENT OF SUSPENSION TECHNOLOGY, INC. AND ALL COPIES ARE TO BE RETURNED IMMEDIATELY UPON REQUEST.