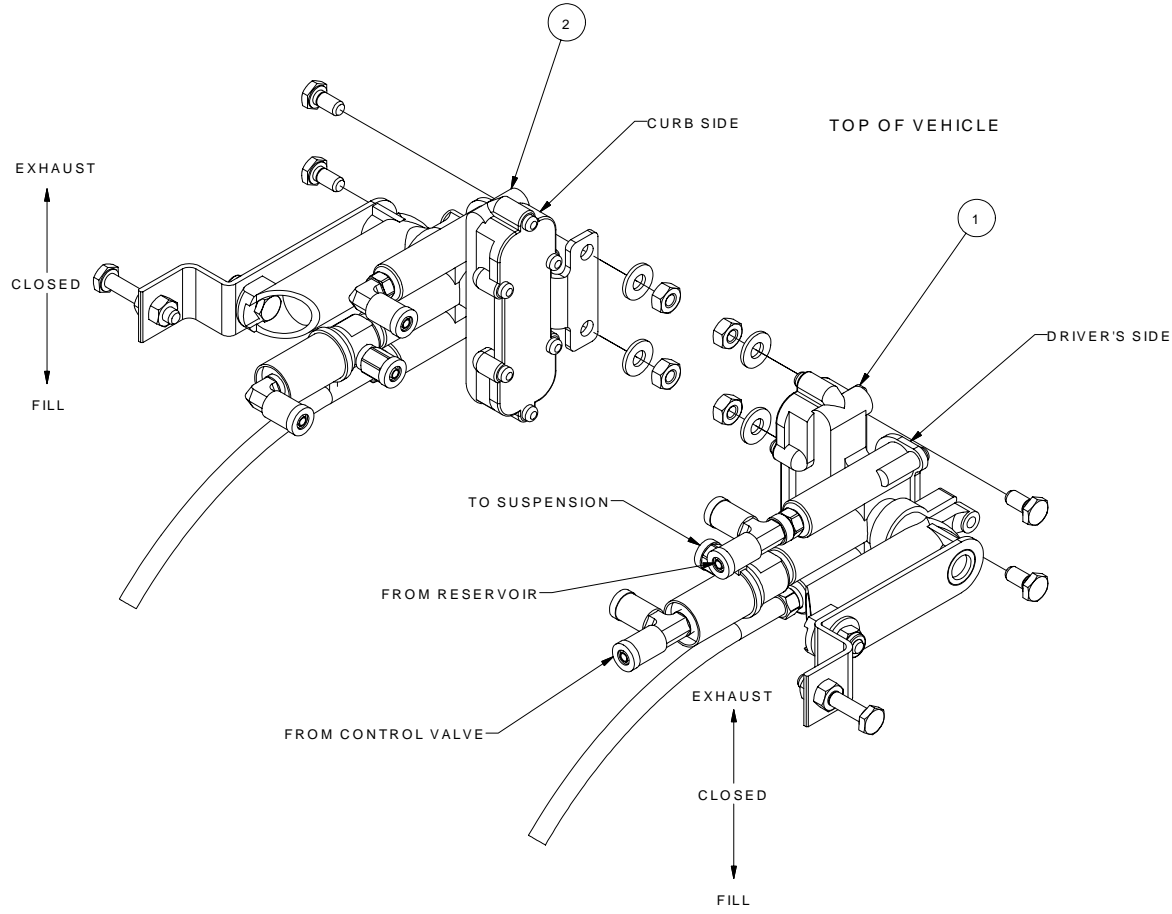


| BILL OF MATERIAL | | | |
|------------------|-----|---------|------------------------------|
| ITEM | QTY | PART NO | DESCRIPTION |
| 1 | 1 | 550180 | HCV WITH DUMP VALVE & TEES |
| 2 | 1 | 550181 | HCV WITH DUMP VALVE & ELBOWS |



| | | | | | | | |
|--------------------------|--|--------------|--|---|--|--|--|
| TITLE | | SCALE | | MATERIAL | | SUSPENSION TECHNOLOGY INDUSTRIES | |
| HEIGHT CONTROL VALVE KIT | | 1:2 | | UNLESS OTHERWISE SPECIFIED, ALL DIMENSIONS ARE IN INCHES. STANDARD TOLERANCES DRAWN BY UNLESS SPECIFIED X.XX .005 FRAC .010 X.XXX .003 ANGLE .1 | | 1510 METRIC AVE. S.W., CANTON, OHIO 44706 PHONE (888) 977-3068 FAX (330) 458-3066 | |
| THIRD ANGLE PROJECTION | | RELEASE DATE | | UNLESS OTHERWISE SPECIFIED, ALL DIMENSIONS ARE IN INCHES. STANDARD TOLERANCES DRAWN BY UNLESS SPECIFIED X.XX .005 FRAC .010 X.XXX .003 ANGLE .1 | | THIS DRAWING IS THE PROPERTY OF SUSPENSION TECHNOLOGY, IND. AND IS LOANED TO THE USER FOR THE EXCLUSIVE USE OF THE USER. IT IS NOT TO BE REPRODUCED, COPIED, OR USED FOR FURNISHING INFORMATION TO ANY PERSON WITHOUT THE WRITTEN CONSENT OF SUSPENSION TECHNOLOGY, IND. AND ALL COPIES ARE TO BE RETURNED UPON REQUEST. | |
| DRAWING NUMBER | | DATE | | DRAWN BY | | CHECKED BY | |
| B AK102-009 | | 1/9/2003 | | M. POWERS | | M. POWERS | |

| | | | |
|----------------------|--------|---------|-----------|
| 01 | 1128 | MKP | 1/9/03 |
| REV. | ECN NO | REV. BY | REV. DATE |
| ENGRG. CHANGE NOTICE | | | |

